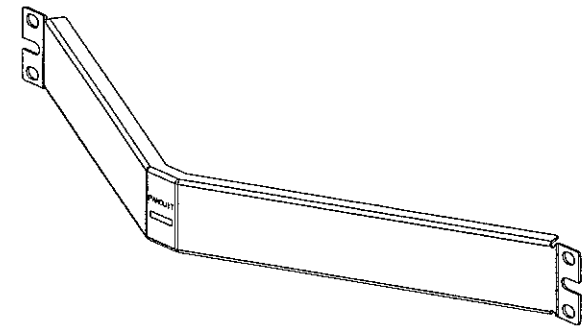
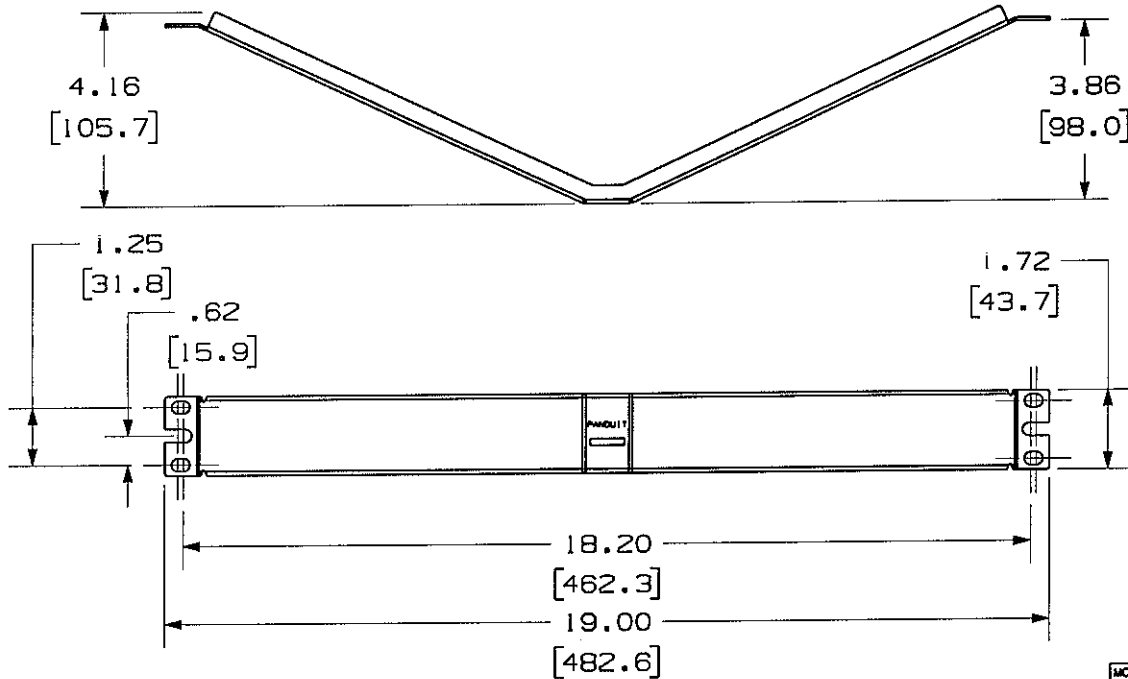


THIS COPY IS PROVIDED ON A RESTRICTED BASIS AND IS NOT TO BE USED IN ANY WAY DETRIMENTAL TO THE INTERESTS OF PANDUIT CORP.

PANDUIT P/N	WEIGHT
CPAF1BLY	8.21 LB/10 PCS (3723.3 g/10 PCS)

- NOTES:
- SEE CURRENT CATALOG FOR VARIOUS APPLICATIONS WITH THIS WIRING SYSTEM.
  - THE FILLER PANEL IS DESIGNED FOR MOUNTING TO 19" UNIVERSAL RACKS.
  - PACKAGE CONTENTS:
    - (1) - ANGLED FILLER PANEL STAMPING
    - (1) - SCREW KIT (INCLUDES FOUR #12-24 SCREWS)
    - (1) - SCREW KIT (INCLUDES FOUR M6 SCREWS)
  - DIMENSIONS IN PARENTHESIS ARE IN METRIC.



MODEL FILENAME	MO1661BA_ANGFILLERPANL_00.PRT	SIZE <b>A</b>
DRAWING FILENAME	MO2479DC_DC83_00A.PRT	

NETWORK SYSTEMS  
MAY 26 2006  
ENGINEERING DEPT

ANGLED 1 RACK UNIT FILLER PANEL  
CUSTOMER DRAWING



I.I. NUMBER	N/A
PRODUCT SPEC	N/A
WORK INSTRUCTION	N/A
SCALE	NONE
PART NO.	CPAF1BLY
DRAWING NO.	02479-083

THIRD ANGLE PROJECTION	ALL DIMENSIONS ARE GIVEN IN INCHES, UNLESS OTHERWISE SPECIFIED. DIMENSIONAL TOLERANCES ARE: (.X) ± (.XXX) ± .010(.3) (.XX) ± .03(.8) ANGLES ±
DRAWN BY JsP	MATERIAL: 16 GAGE C.R.S.
DATE 3-11-06	
CHK'D	

REV	DATE	BY	CHK	DESCRIPTION	ECN	R	CUST	SUP	OTH
R	3-11-06	JsP	M/O	RELEASED TO PRODUCTION	02479-083				